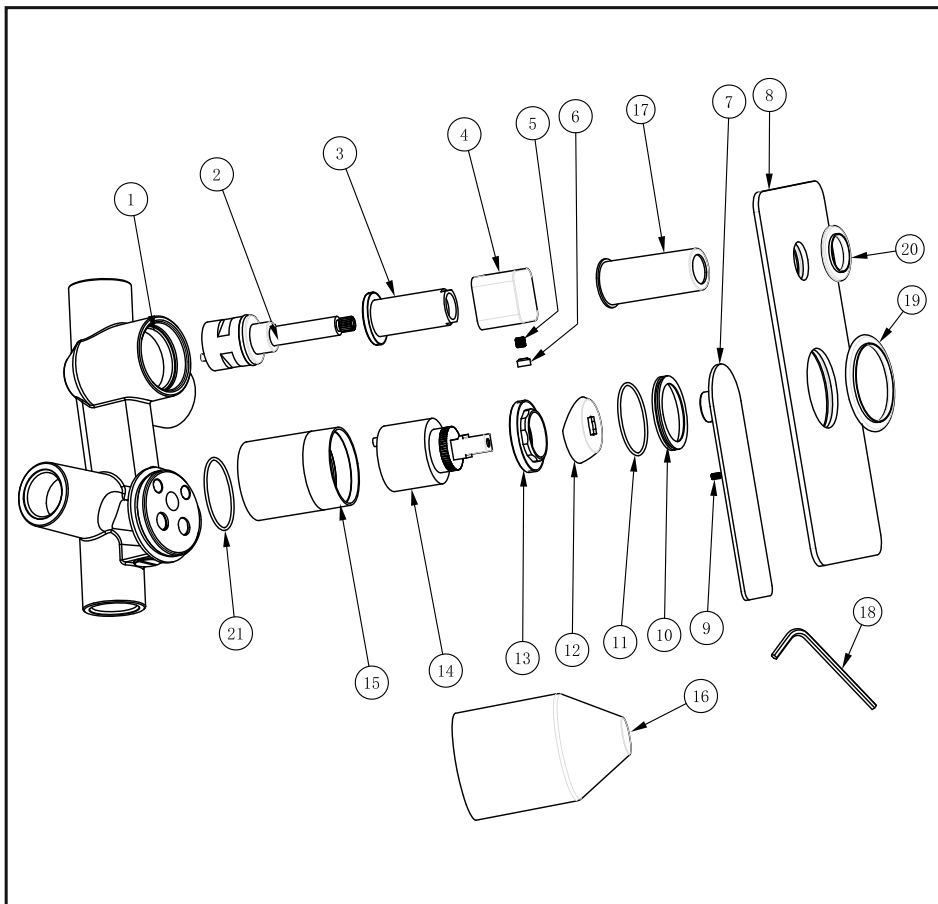


Concealed bath/shower mixer with locking device

Installation Instruction

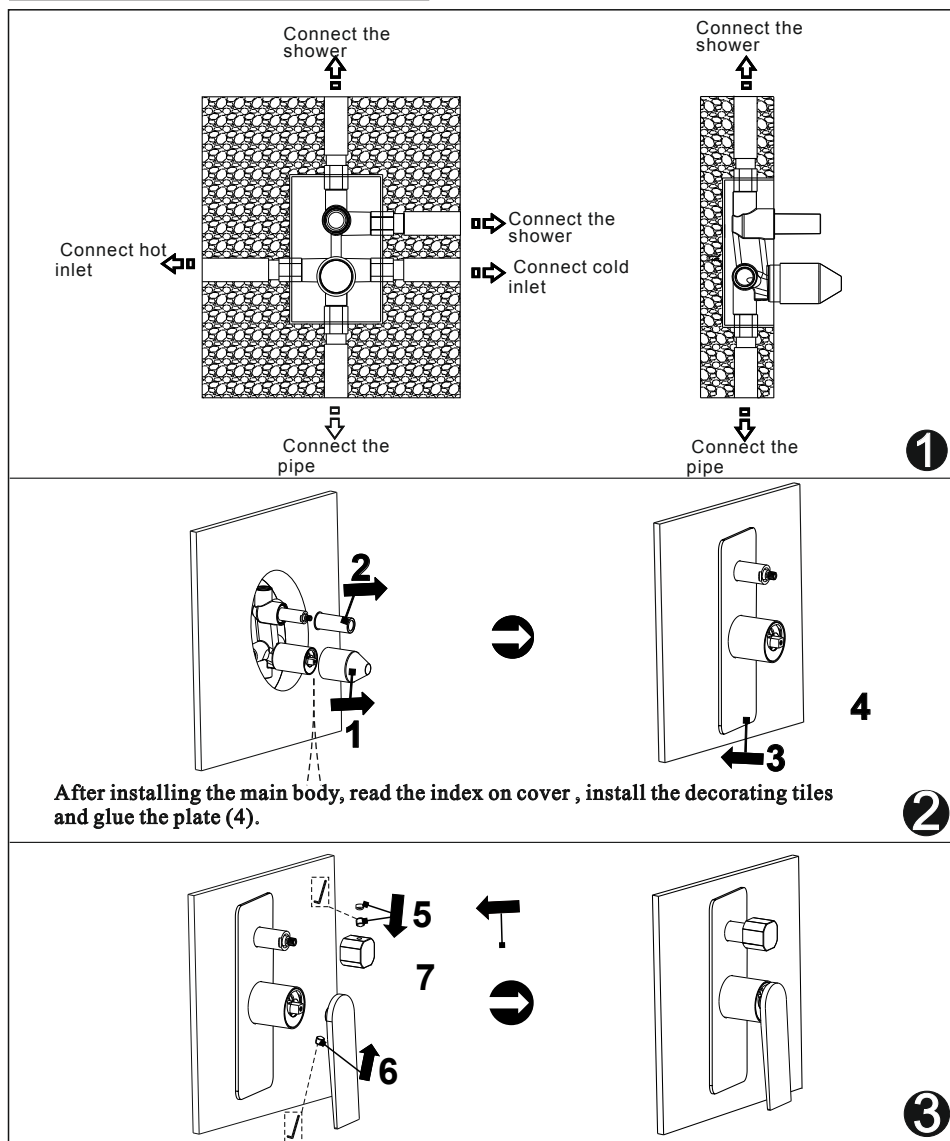
Please read this instruction carefully to avoid any difficulty during installation.



Components List

No .	Component	Material	QTY
1	Main body	Brass	1
2	Diverter	Brass	1
3	Diverter cover	Brass	1
4	Diverver handle	Zinc	1
5	M5*5 Hexagon socket head cap screw	S304	1
6	Decorative button	Rubber	1
7	Handle	S304	1
8	200*100mm plate	S304	1
9	M5*3 Hexagon socket head cap screw	S304	1
10	Cap	Brass	1
11	Φ39*1.5 "O" ring	Rubber	1
12	Cap	Brass	1
13	Cartridge nut	Brass	1
14	35mm Sedal cartridge	Plastic	1
15	Cartridge cover	Brass	1
16	Safe cover for body	Plastic	1
17	Safe cover for diverter	Plastic	1
18	2.5MM Allen key	S304	1

Installation Step



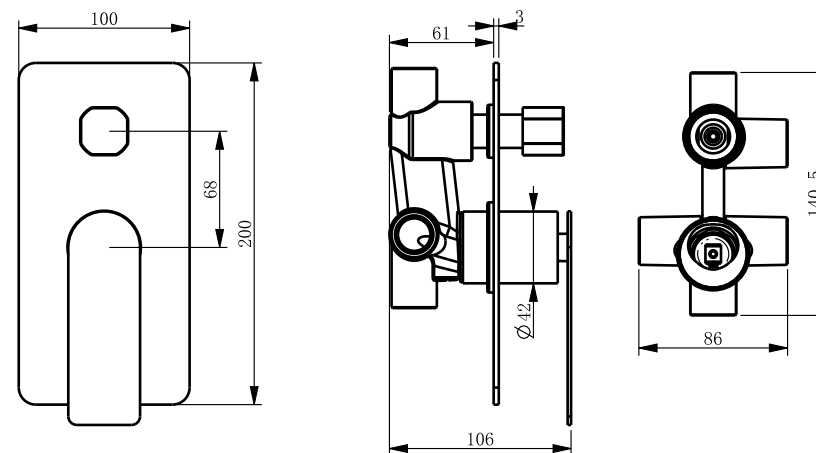
* Attention: the inner radii of the G1/2 connection pipe is not less than $\phi 13\text{mm}$.

** Read the Installation Fig and confirm the installing position.

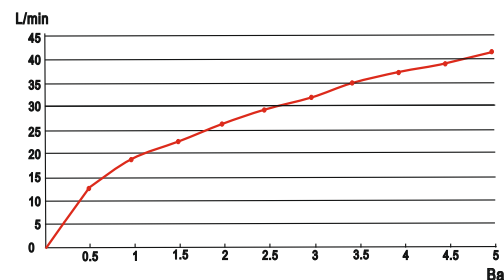
*** Test:

Open the supply pipes, close the ceramic cartridge and check the connections for leakage; open the ceramic cartridge and check the smooth water flow. Decorate the wall after checking and remove the safe cover. Install the escutcheon and handle.

Installation Fig



Flow rate Curves



Test pressure: 1.5MPa (15bar)

Flow pressure:

Min 0.1MPa

Max 1.50MPa

Recommended pressure:

0.1MPa to 0.7MPa (1 to 7 bar)

Note

1. Ensure proper cleaning of the water supply pipe before installation to avoid any jammed.
2. The cold-water supply must be connected on the right and the hot-water supply must be connected to the left.
3. Check the installation dimensions according to the Figure and ensure it is installed correctly.
4. Hot-water inlet temperature must not be over 80°C .