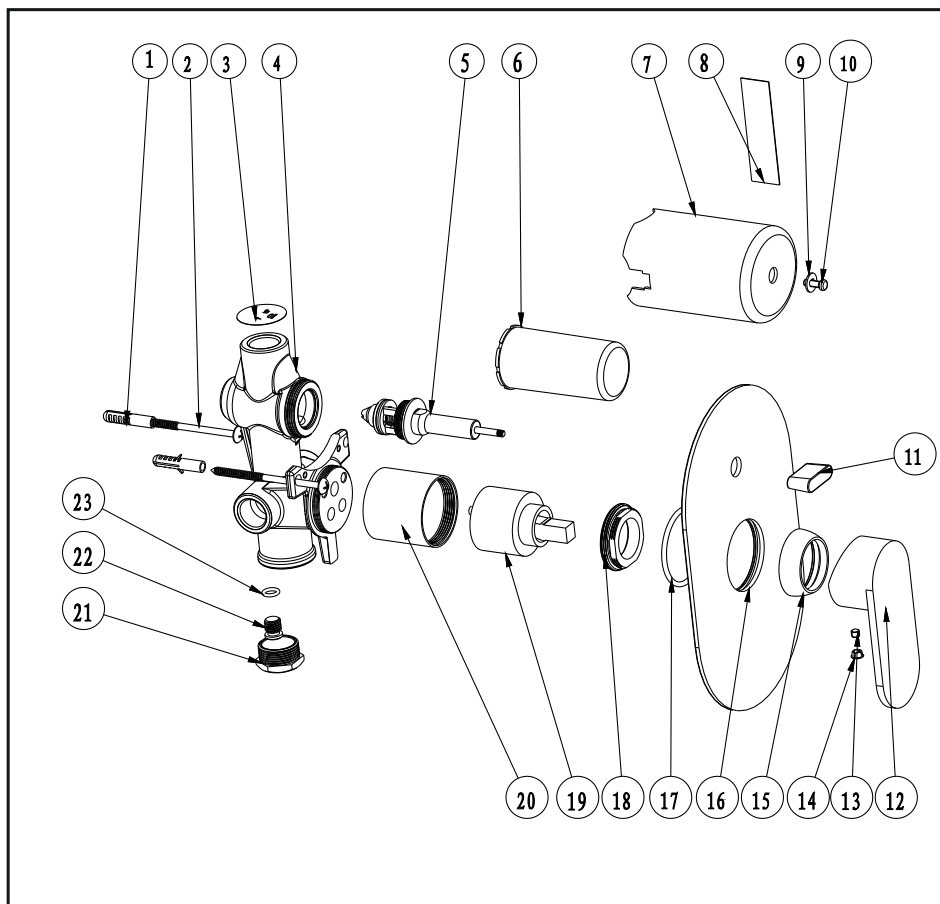


# Concealed bath/shower mixer with locking device

## Installation Instruction

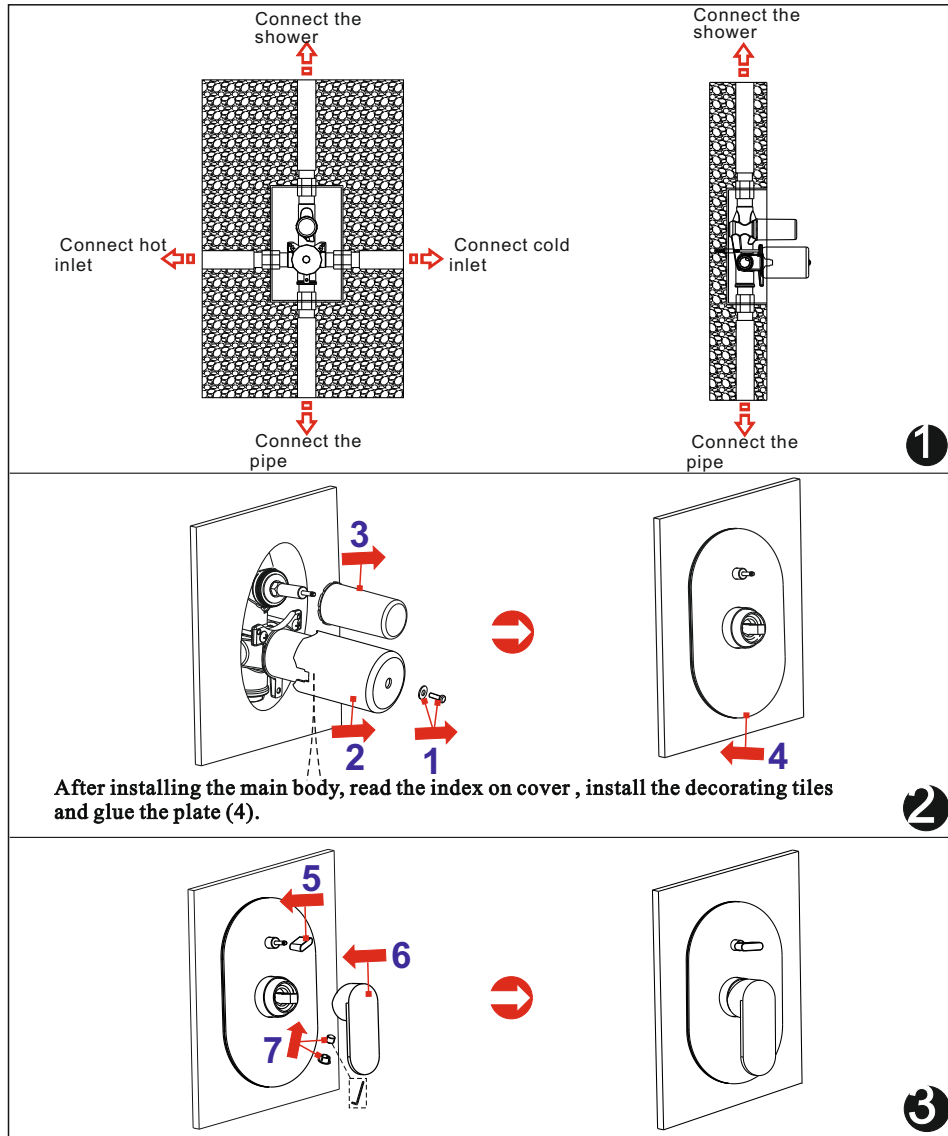
Please read this instruction carefully to avoid any difficulty during installation.



## Components List

No.	Component	Material	Quantity
1	Plastic sleeve	PE	2
2	Cross-head screw	S.S304	2
3	Index for shower		1
4	Main body	BRASS	1
5	Diverting valve		1
6	Safe cover for diverter	ABS	1
7	Safe cover for body	PP	1
8	Index		1
9	Flat washer	S.S304	1
10	Cross-head screw	S.S304	1
11	Knob	ZN	1
12	Handle	BRASS	1
13	Fastening screw	S.S304	1
14	Index	ABS	1
15	Cap	BRASS	1
16	Plate	BRASS	1
17	Sealing strip	NBR	1
18	Cartridge fastener	BRASS	1
19	Ceramic cartridge		1
20	Cover	BRASS	1
21	Union	BRASS	1
22	Stopper	BRASS	1
23	O-ring	NBR	

## Installation Step



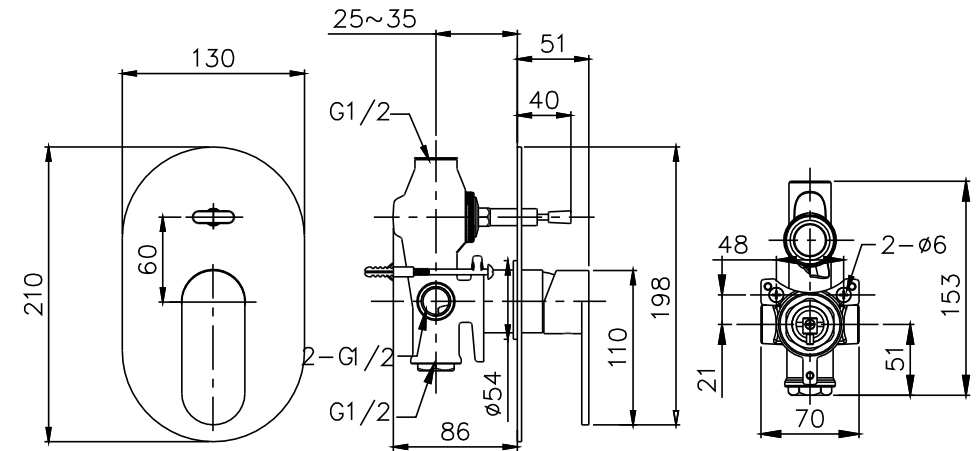
\* Attention: the inner radii of the G1/2 connection pipe is not less than  $\phi 13\text{mm}$ .

\*\* Read the Installation Fig and confirm the installing position.

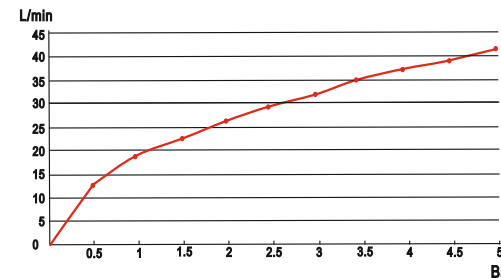
\*\*\* Test:

Open the supply pipes, close the ceramic cartridge and check the connections for leakage; open the ceramic cartridge and check the smooth water flow. Decorate the wall after checking and remove the safe cover. Install the escutcheon and handle.

## Installation Fig



## Flow rate Curves



Test pressure: 1.6MPa (16bar)

Flow pressure:

Min 0.05MPa

Max 1.60MPa

Recommended pressure:

0.1MPa to 0.8MPa (1 to 8 bar)

## Note

1. Ensure proper cleaning of the water supply pipe before installation to avoid any jammed.
2. The cold-water supply must be connected on the right and the hot-water supply must be connected to the left.
3. Check the installation dimensions according to the Figure and ensure it is installed correctly.
4. Hot-water inlet temperature must not be over  $80^{\circ}\text{C}$ .