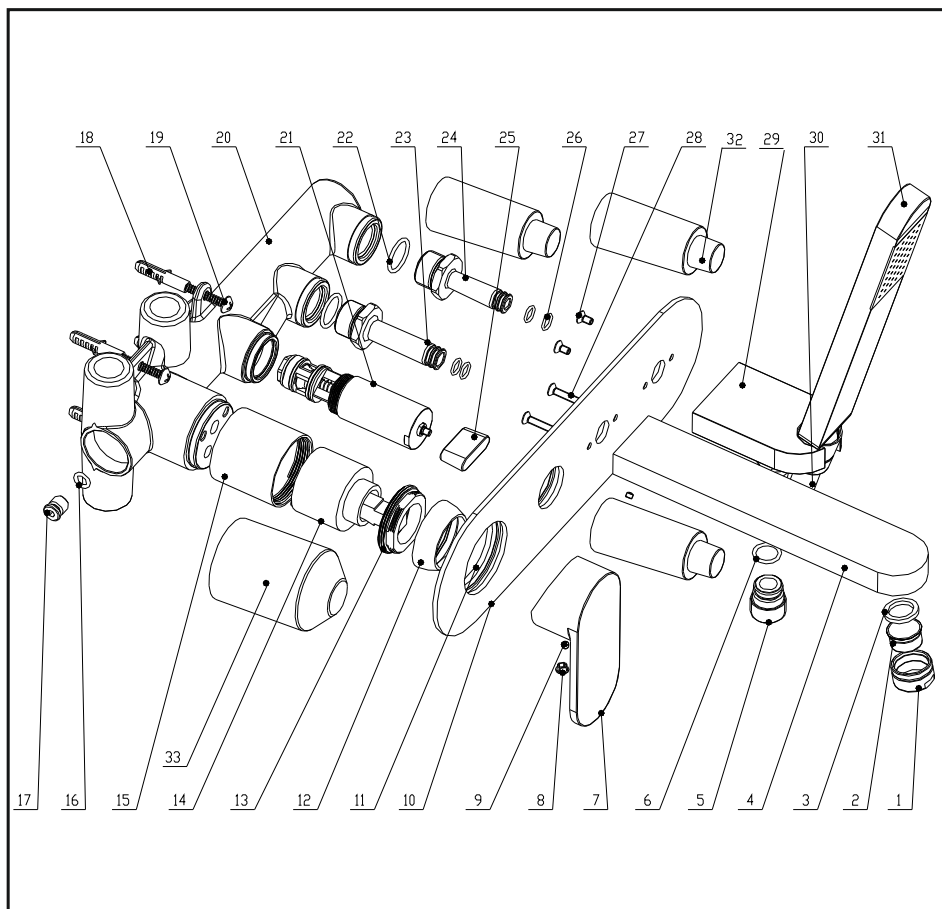


Wall mounted bath/shower mixer

Installation Instruction

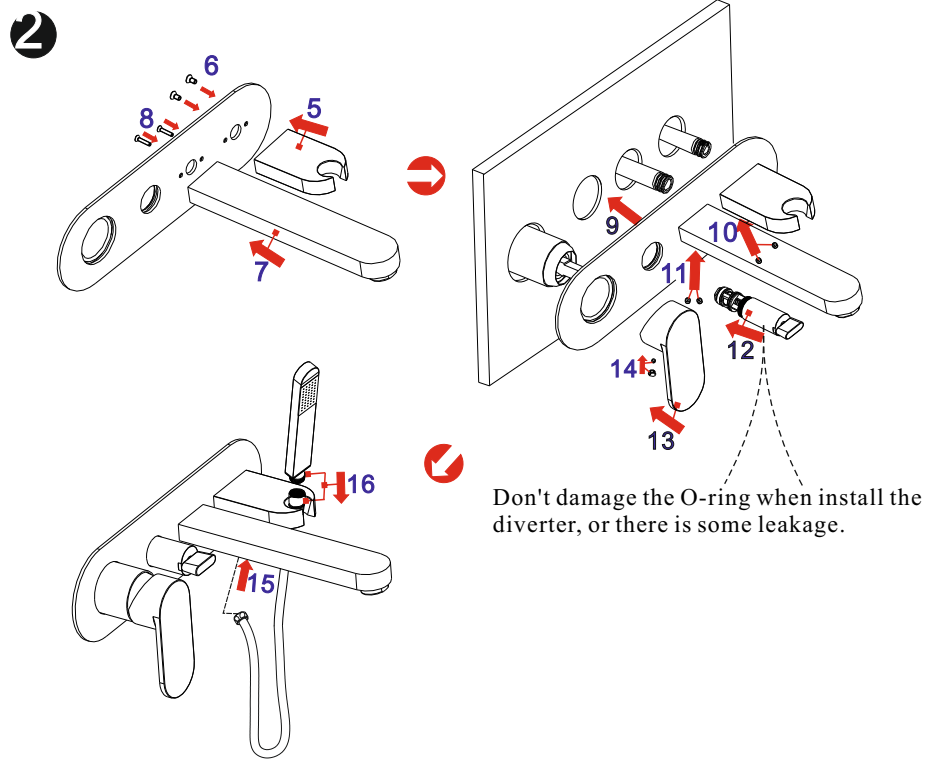
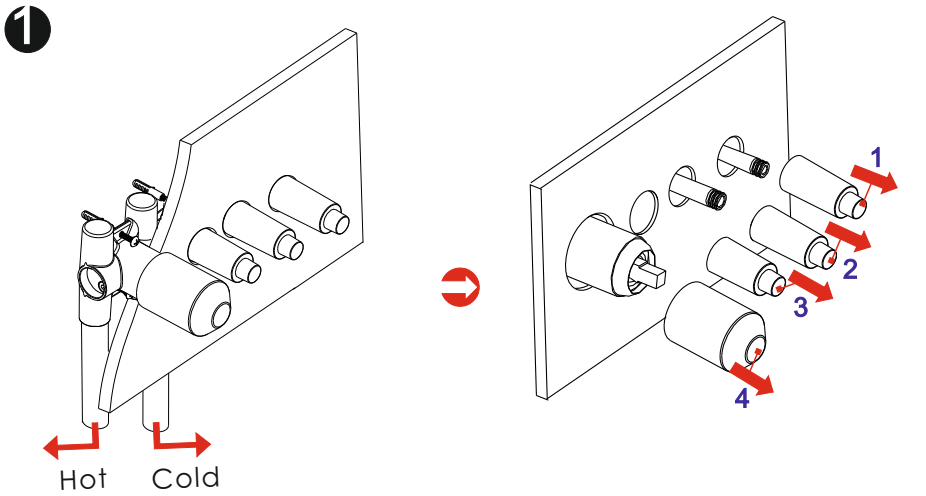
Please read this instruction carefully to avoid any difficulty during installation.



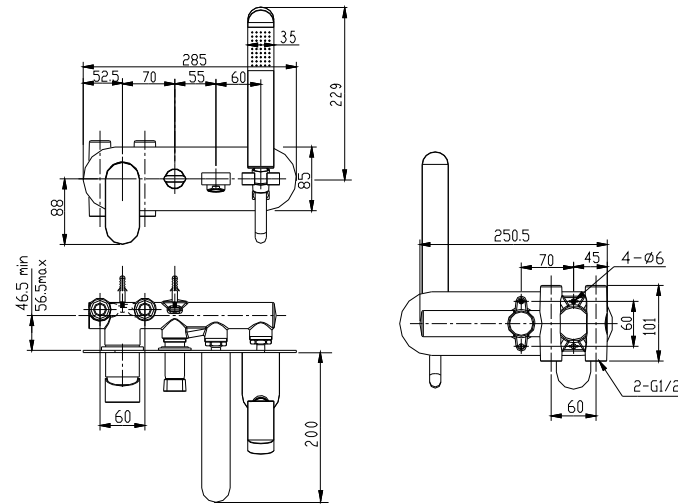
Components List

No.	Component	Material	Quantity
1	Aerator coat		1
2	Aerator core		1
3	Flat washer	NBR	1
4	Spout	BRASS	1
5	Union	BRASS	1
6	O-ring	NBR	1
7	Handle	BRASS	1
8	Index	ABS	1
9	Female allen screw	SUS304	5
10	Plate		1
11	Sealing strip	NBR	2
12	Cap	BRASS	1
13	Cartridge fastener	BRASS	1
14	Ceramic cartridge		1
15	Cover	BRASS	1
16	O-ring	NBR	1
17	Stopper	BRASS	1
18	Plastic sleeve	PE	4
19	Cross-head screw	SUS304	4
20	Main body	BRASS	1
21	Diverting valve		1
22	O-ring	NBR	2
23	Union	BRASS	1
24	Union	BRASS	1
25	Knob		1
26	O-ring	NBR	4
27	Female allen screw	SUS304	2
28	Cross-head screw	SUS304	2
29	Plate	BRASS	1
30	Hose		1
31	Hand shower		1
32	Safe cover for body	PE	3
33	Safe cover	PE	1

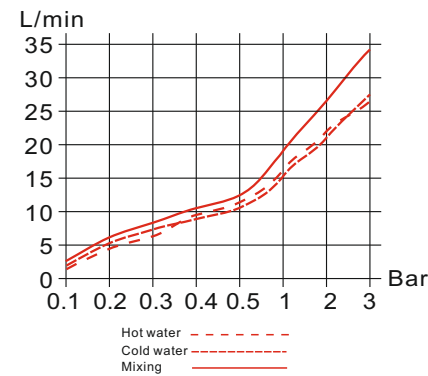
Installation Step



Installation Fig



Flow rate Curves



Test pressure: 1.6MPa (16bar)

Flow pressure:

Min 0.05MPa

Max 1.60MPa

Recommended pressure:

0.1MPa to 0.8MPa (1 to 8 bar)

Note

1. Ensure proper cleaning of the water supply pipe before installation to avoid any jammed.
2. The cold-water supply must be connected on the right and the hot-water supply must be connected to the left.
3. Check the installation dimensions according to the Figure and ensure it is installed correctly.
4. Hot-water inlet temperature must not be over 80°C.