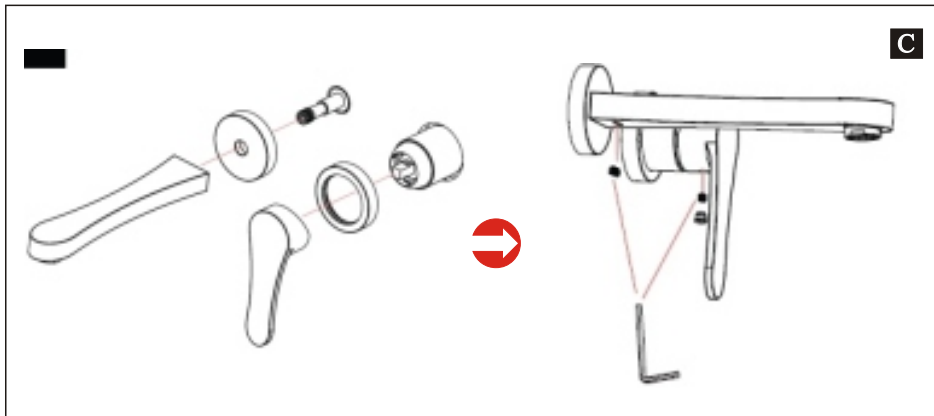
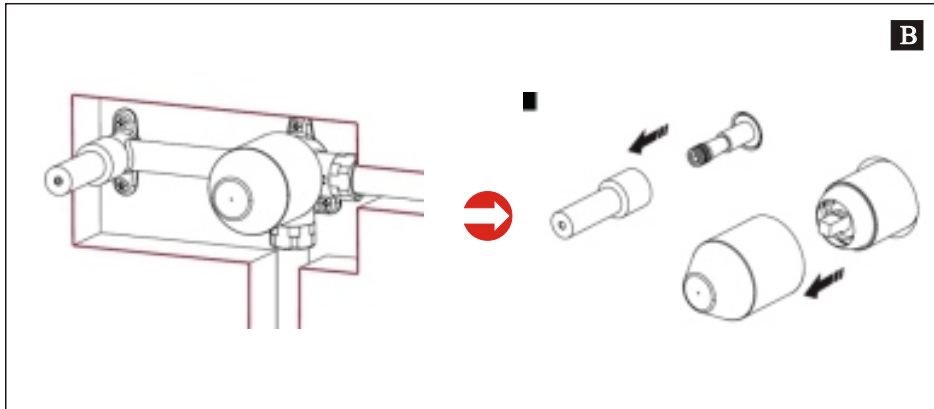
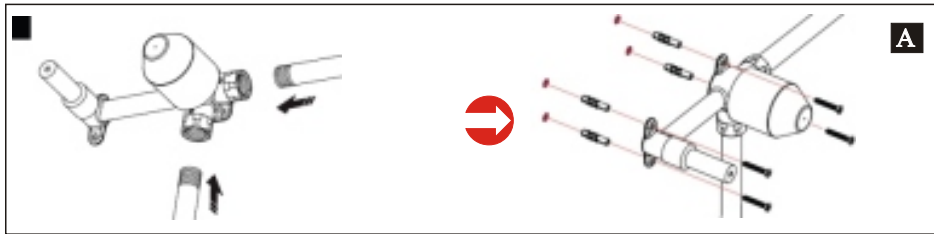




GERMANY

# Installation Instructions

## Installation Step

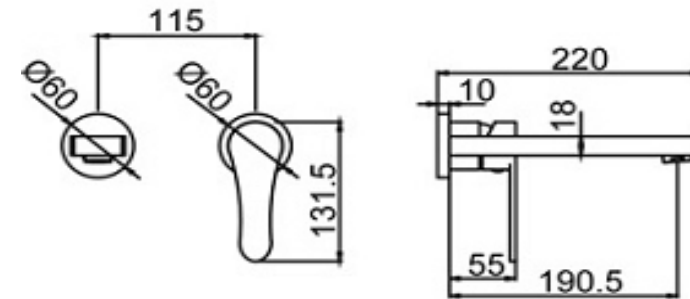


\* See the fig for the position of the valve and inlet pipes.

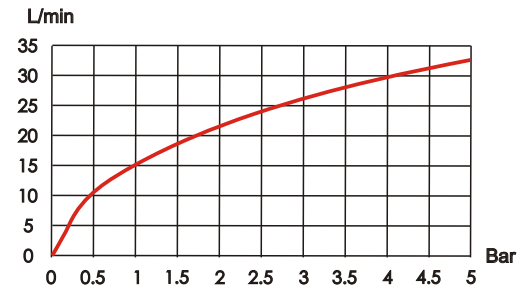
### \*\* Test:

Open the supply pipes, close the ceramic cartridge and check any leakage; open the ceramic cartridge and check the smooth water flow. Having tested, install the valve to the wall, take the safe cover apart and install the plate and handle.

## Installation Fig



## Flow rate Curves



Test pressure: 1.6MPa (16bar)

Flow pressure:

Min 0.05MPa

Max 1.60MPa

Recommended pressure:

0.1MPa to 0.8MPa (1 to 8 bar)

## Note

- 1.Ensure to clean the water supply pipe before installing to avoid being jammed.
- 2.The cold-water supply must be connected on the right and the hot-water supply on the left.
- 3.Check the installing dimension according to the Figure and ensure it is installed correctly.
- 4.Hot-water inlet must not be over 80 C.°