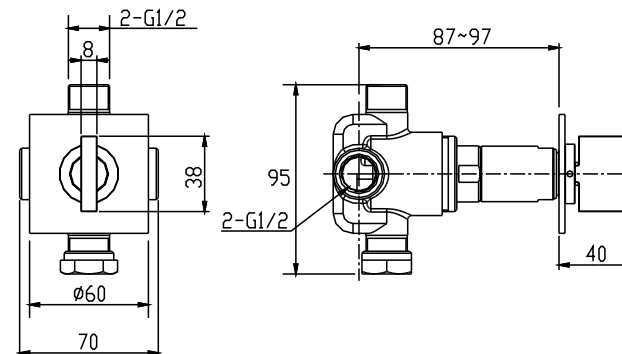
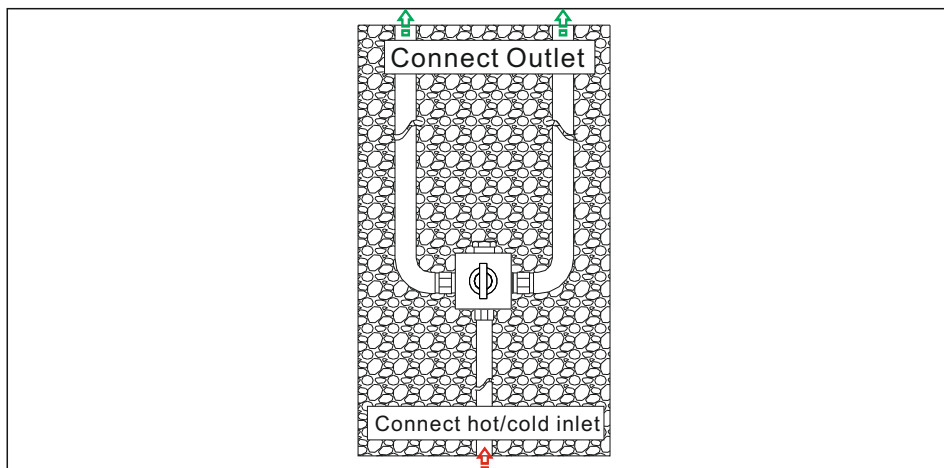


2-WAY DIVERTER

Installation Instruction

Installation Fig

Installation Step

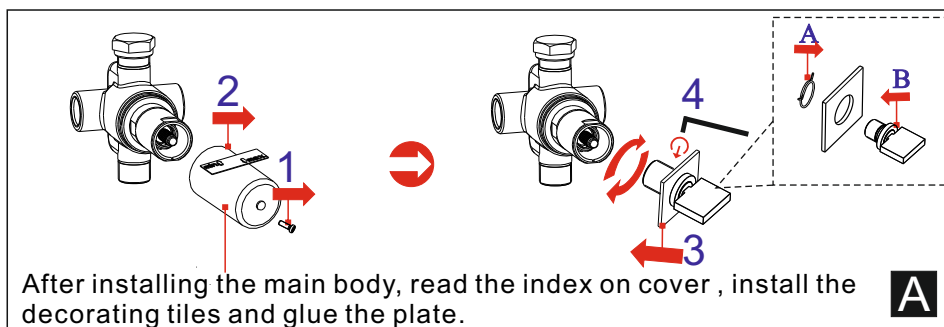


1. See the fig, install the valve and connect the inlet.
2. When installing the valve, pay more attention to the index, in order to install the plate or the handle.
3. After installing the valve, test if it is any leakages with a high dynamic pressure for a period of 30 min, and glue the decoration.

Attention: according to the product you purchase, read its instruction drawing.

Note

1. Ensure to clean the water supply pipe before installing to avoid being jammed.
2. The cold-water supply must be connected on the right and the hot-water supply on the left.
3. Check the installing dimension according to the Figure and ensure it is installed correctly.
4. Hot-water inlet must not be over 80°C.



After installing the main body, read the index on cover, install the decorating tiles and glue the plate.

A