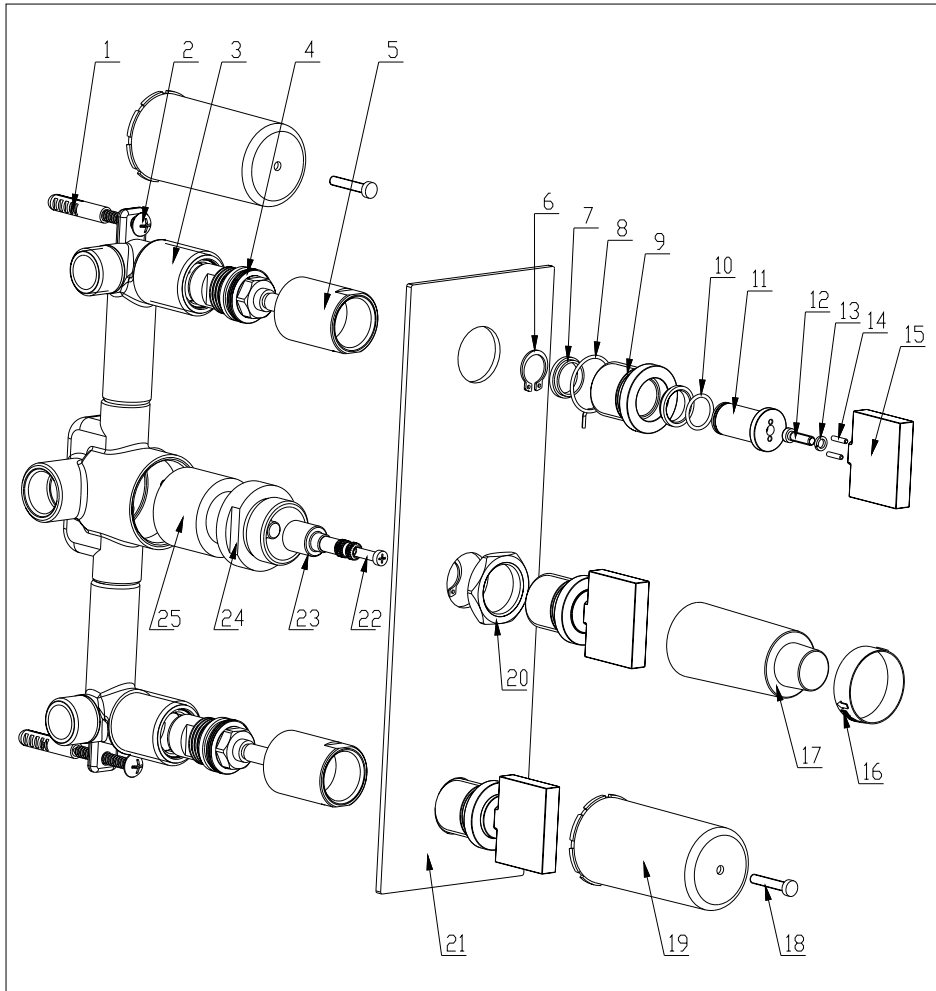


Concealed wall valves with diverter

Installation Instruction

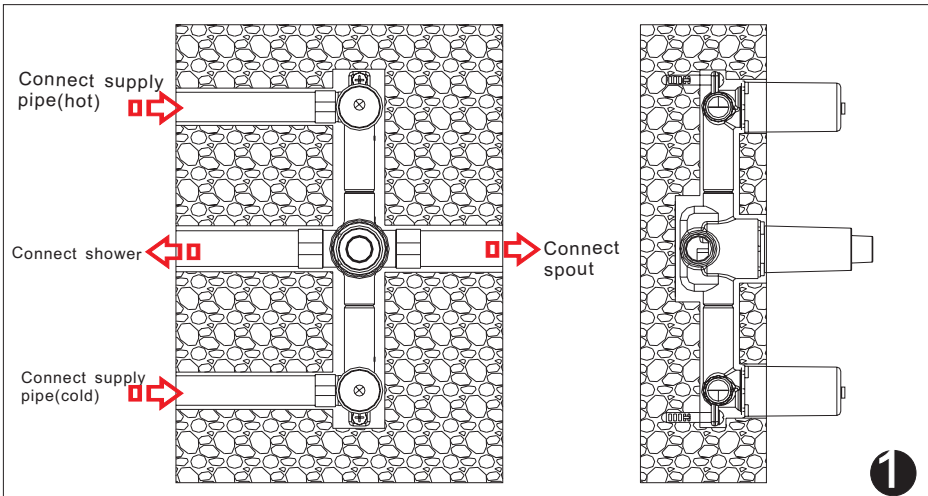
Please read this instruction carefully so as to avoid the installation difficulty.



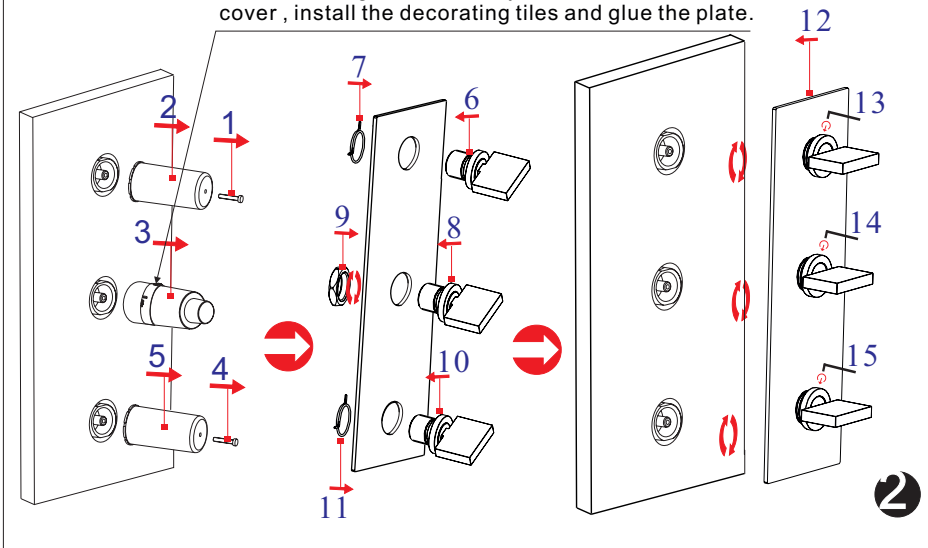
Components List

No.	Component	Quantity
1	Plastic sleeve	2
2	Cross-head screw	2
3	Main body	1
4	Ceramic head part	2
5	Connecting cover	2
6	Spring shim	3
7	Washer	6
8	C-ring	2
9	Handle seat	3
10	O-ring	3
11	Union	3
12	Cross-head screw	3
13	Spring washer	3
14	Setting pin	6
15	Handle	3
16	Index	1
17	Safe cover for body	1
18	Cross-head screw	2
19	Safe cover for diverter	2
20	Nut	1
21	Plate	1
22	Cross-head screw	1
23	Longer rod	1
24	Fastener	1
25	Diverter	1

Installation Step



After installing the main body, read the index on cover, install the decorating tiles and glue the plate.

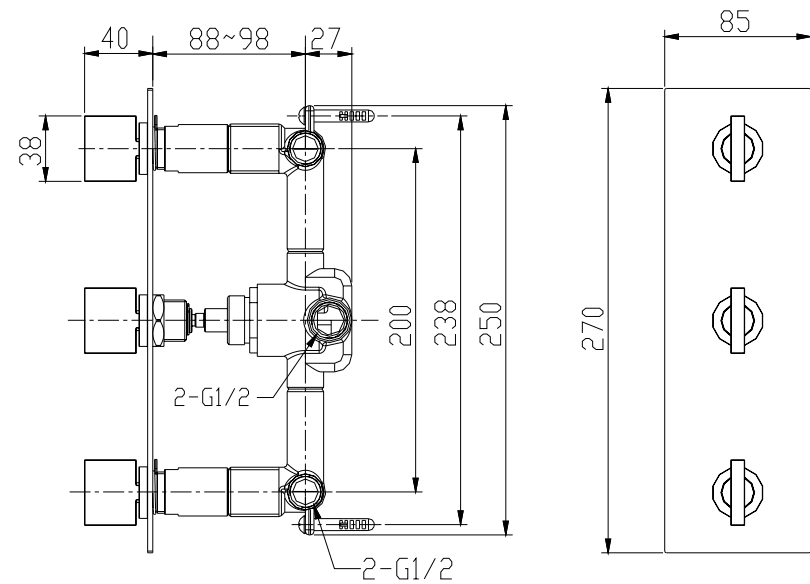


* Read the Installation Fig and confirm the installing position.

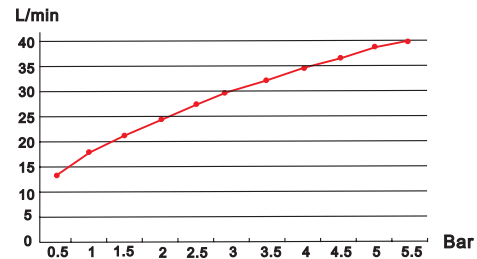
** Test:

Open the supply pipes, close the ceramic cartridge and check the connections for leakage; open the ceramic cartridge and check the smooth water flow. Decorate the wall after checking and remove the safe cover. Install the escutcheon and handle.

Installation Fig



Flow rate Curves



Test pressure: 1.6MPa (16bar)

Flow pressure:

Min 0.05MPa

Max 1.60MPa

Recommended pressure:

0.1MPa to 0.8MPa (1 to 8 bar)

Note

- 1.Ensure to clean the water supply pipe before installing to avoid being jammed.
- 2.The cold-water supply must be connected on the right and the hot-water supply on the left.
- 3.Check the installing dimension according to the Figure and ensure it is installed correctly.
- 4.Hot-water inlet must not be over 80°C.