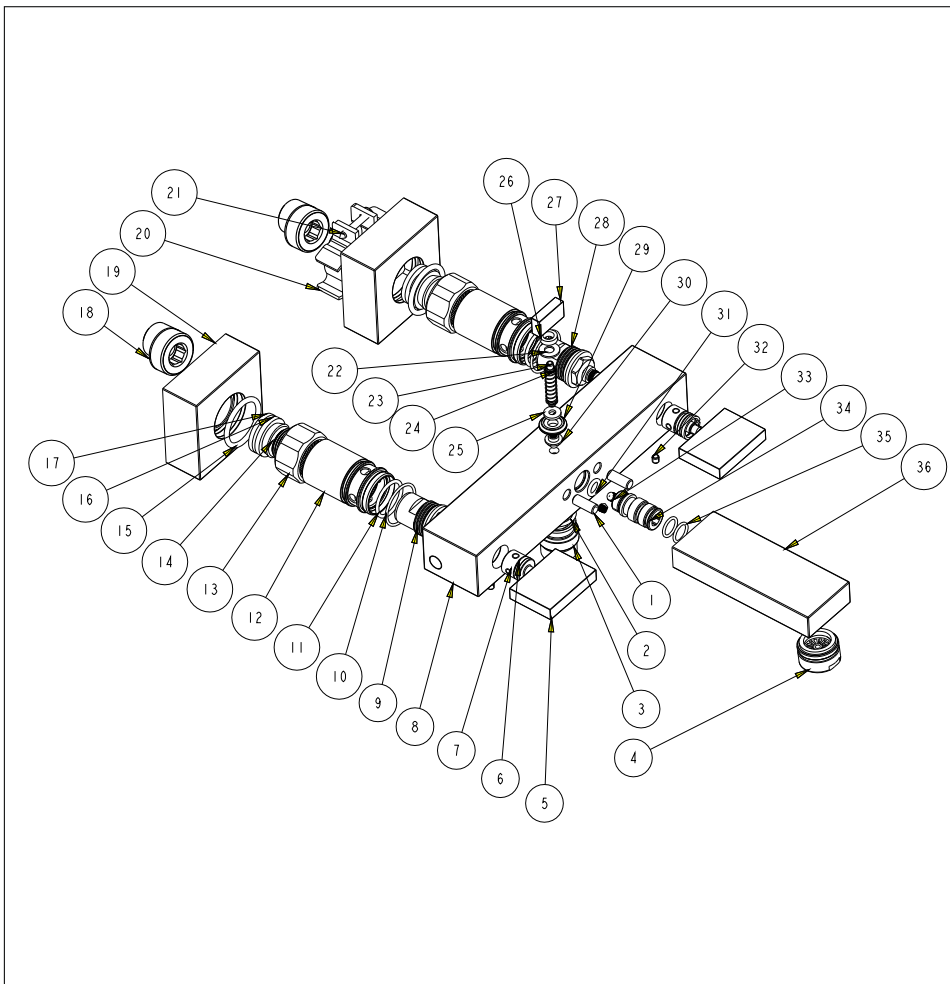


Wall mounted bath/shower mixer

Installation Instruction

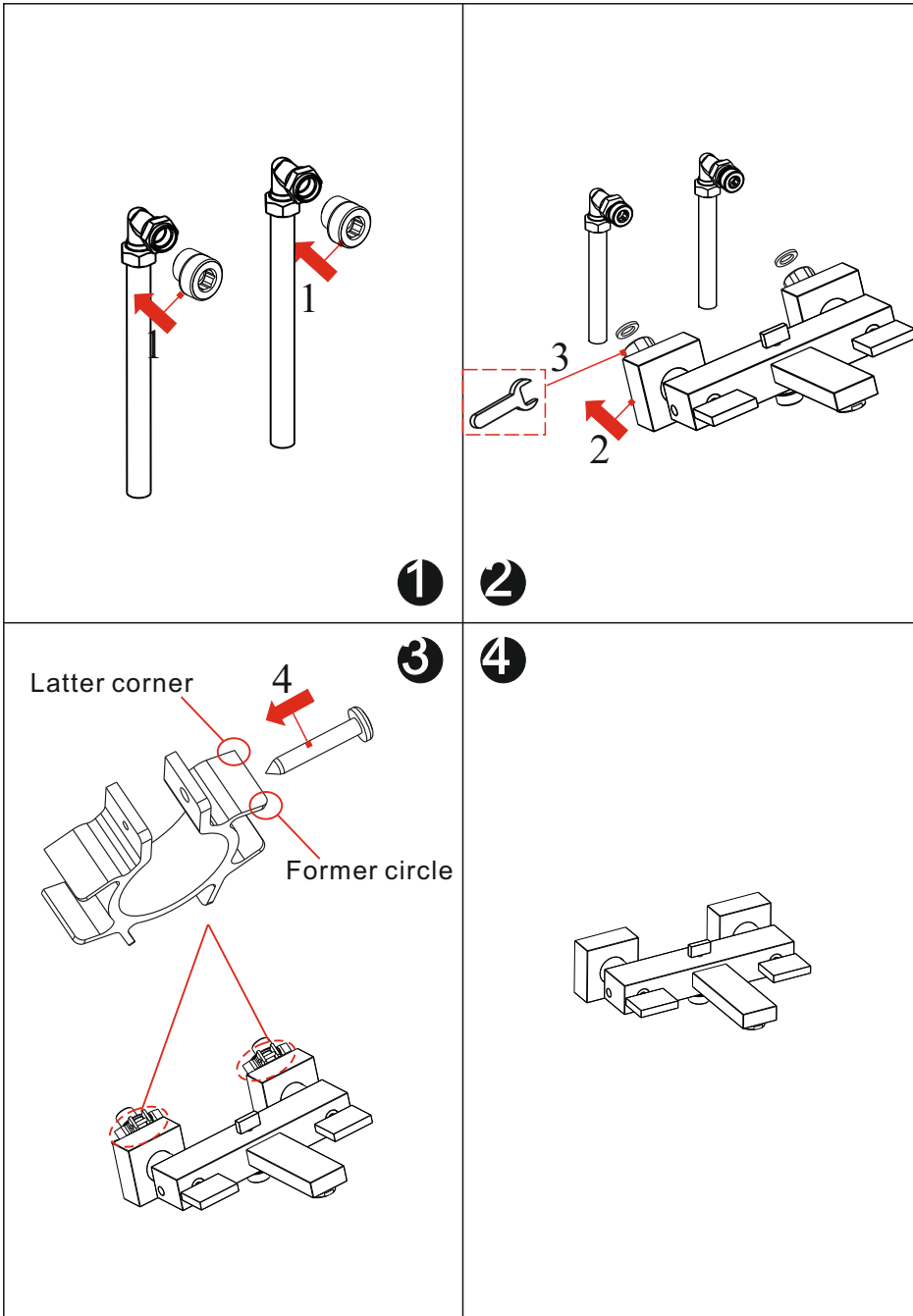
Please read this instruction carefully so as to avoid the installation difficulty.



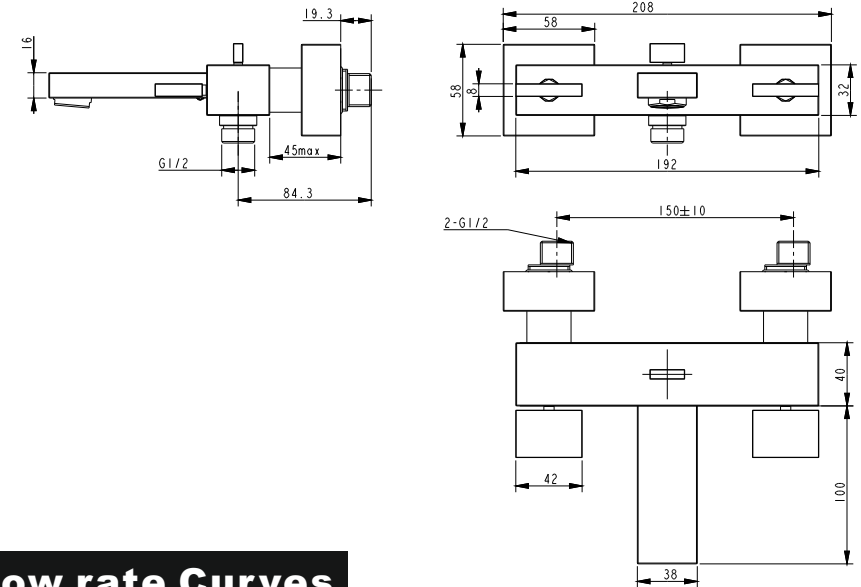
Components List

No.	Component	Material	Quantity
1	Setting pin		2
2	O-ring	NBR	1
3	Union	BRASS	1
4	Aerator		1
5	Handle	BRASS	2
6	Flat washer		2
7	Union	BRASS	2
8	Main body		1
9	Ceramic head part		1
10	O-ring	NBR	2
11	O-ring	NBR	2
12	Screw	BRASS	2
13	Nut	BRASS	2
14	O-ring	NBR	2
15	Sealing strip	NBR	2
16	Female allen screw	BRASS	2
17	Flat washer	NBR	2
18	S-union	BRASS	2
19	Escutcheon	ZINC	2
20	Fixing clip	POM	2
21	Cross head screw	S.S304	2
22	Flat washer	BRASS	1
23	Center rod	BRASS	1
24	Spring	S.S304	1
25	Flat washer	BRASS	1
26	Y-seal	NBR	1
27	Knob	BRASS	1
28	Ceramic head part		1
29	Sealing ring	NBR	1
30	Knob for center rod	BRASS	1
31	O-ring	NBR	1
32	Female allen screw	S.S304	2
33	Fixing screw	S.S304	2
34	Union	BRASS	1
35	O-ring	NBR	2
36	Spout	BRASS	1

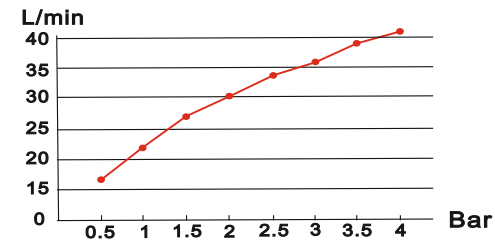
Installation Step



Installation Fig



Flow rate Curves



Test pressure: 1.6MPa (16bar)

Flow pressure:

Min 0.05MPa

Max 1.60MPa

Recommended pressure:

0.1MPa to 0.8MPa (1 to 8 bar)

Note

1. Ensure to clean the water supply pipe before installing to avoid being jammed.
2. The cold-water supply must be connected on the right and the hot-water supply on the left.
3. Check the installing dimension according to the Figure and ensure it is installed correctly.
4. Hot-water inlet must not be over 80°C.