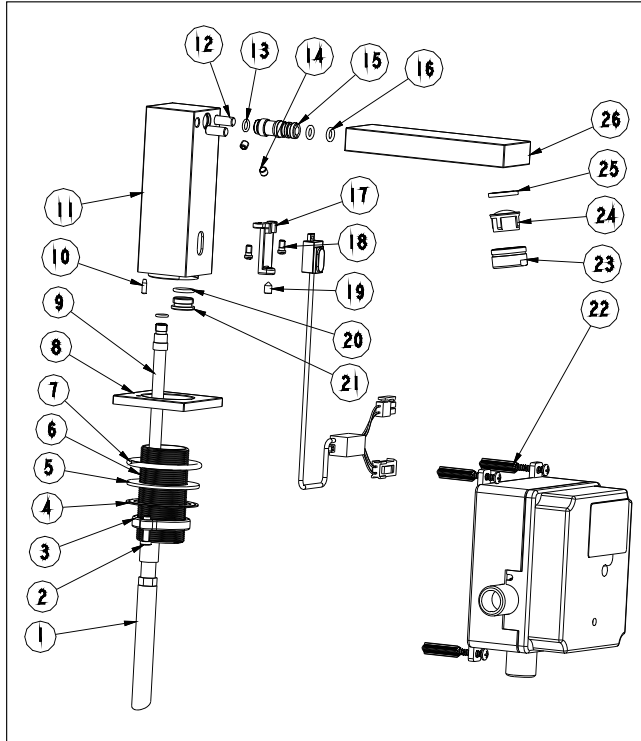


Deck-mounted sensor tap

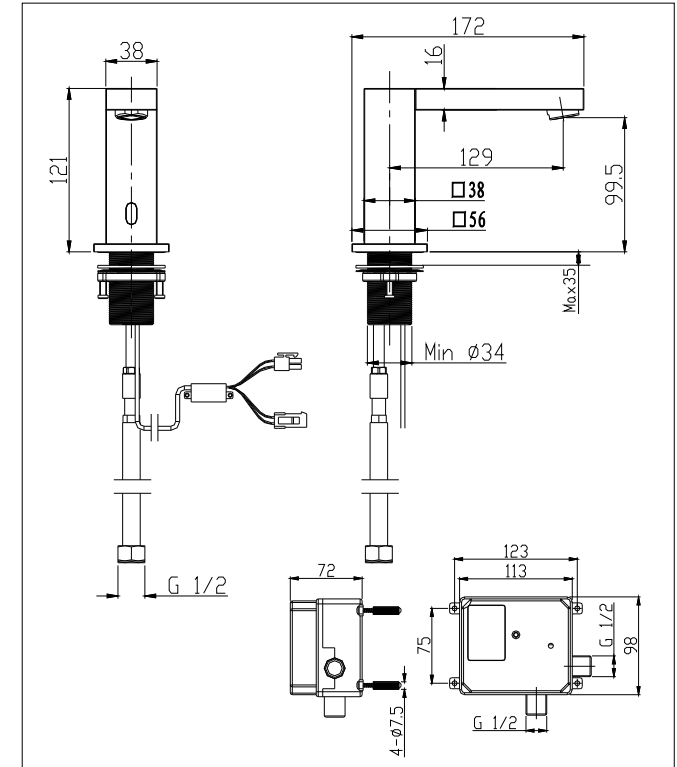
Installation Instruction

Please read this instruction carefully so as to avoid the installation difficulty.

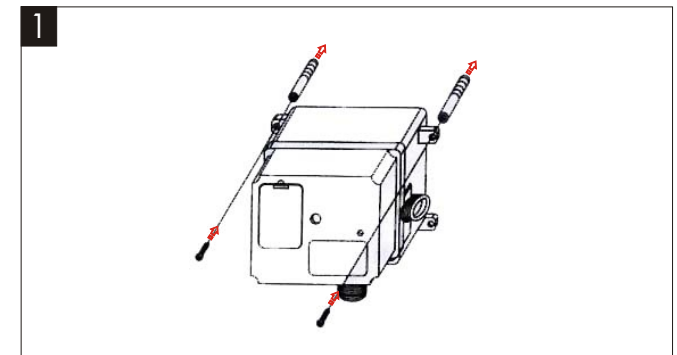


No.	Component	Quantity
01	Flexible connection hose	1
02	Cross-head screw	2
03	Fastening nut	1
04	Fastening washer	1
05	Washer	1
06	Thread pipe	1
07	O-ring	1
08	Seat	1
09	Inlet	1
10	Setting pin	1
11	Seat	1
12	Pin	2
13	O-ring	2
14	Female allen screw	2
15	Union	1
16	O-ring	2
17	Installing piece	1
18	Cross-head screw	2
19	Female allen screw	1
20	O-ring	1
21	Stopper	1
22	Induction control valve	1
23	Aerator coat	1
24	Aerator core	1
25	Flat washer	1
26	Spout	1

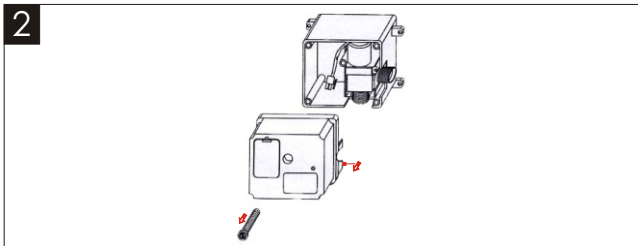
Installation Fig



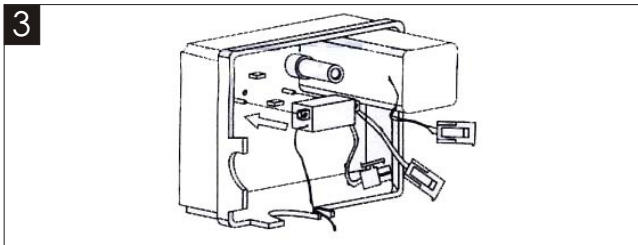
Installation Step



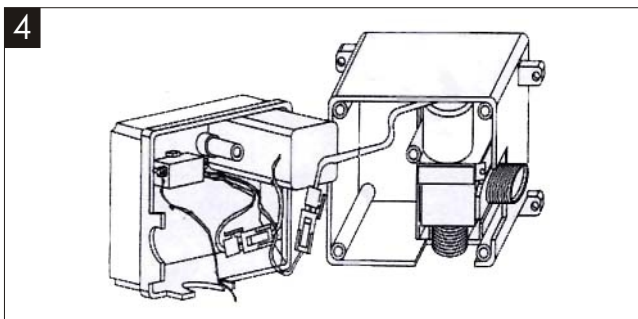
(1) Fasten the control box on the wall over 50cm of the floor with the screw.



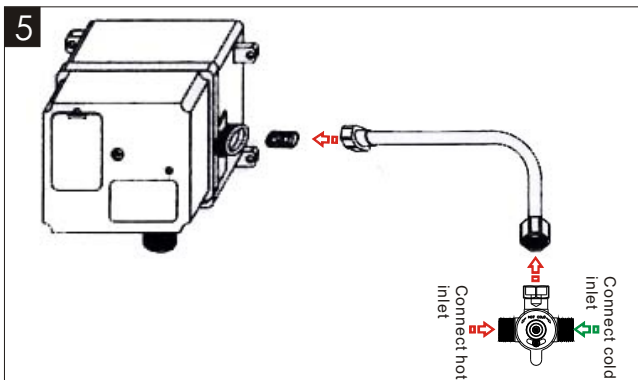
(2)Loose the M5 screw in the control box and open it.



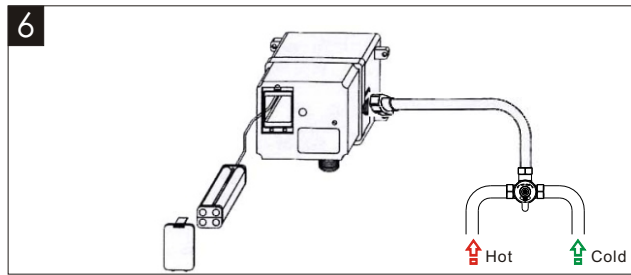
(3)Insert the controller into the box and hide the wire into the groove.



(4)Connect the plug of power supply and the one of valve together, close the box and fasten with M5 screw.

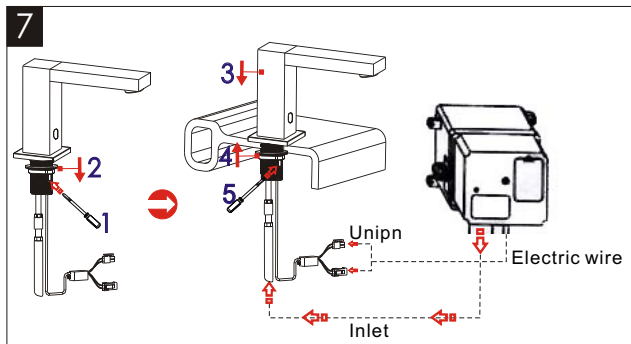


(5)Connect the supply pipe.



(6)Put four pieces of No. 5 dry cells in the cell box and cover it.(be care of the position of the cell)

Attention: don't leave any sundries in the basin, avoid to affect the auto regulation induction distance.

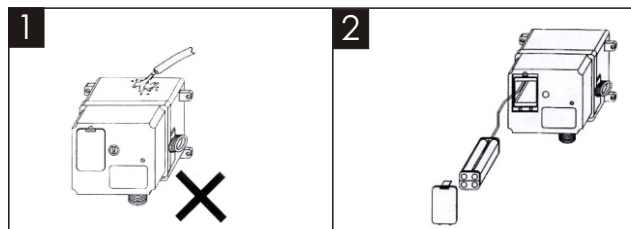


(7)Take off the nut, put the mixer into the installing hole, insert the inlet and wires through the nut and fasten the mixer on the table.

Connect the outlet:

if the inlet is PVC hose, take off the nut and through it on the inlet, connect the inlet and valve together and fasten them with the nut; if the inlet is stainless steel, just fasten the nut of the inlet with the spout.

Attention



(1)Don't wash the box with water.

(2)Touch the mixer, and it doesn't work, check whether the inductor light flashes or not. If it flashes, please have the new cells. Pay attention to the position of the anode and keep dry.

Failure analyze

Failure	Due to	Measure
No flow rate	1.No enough cell power 2.Valve plug loses 3.Valve is closed 4.The controller doesn't work	1.Have the new cell 2.Insert the plug correctly 3.Open the valve 4.Have the new controller
No enough flow rate	1.Valve is no adjusted correctly 2.Valve or spout is blocked	1.Adjust the valve 2.Clean the spout
Can't stop watering	1.Inductor window is dirt 2.The hole of valve is blocked	1.Clean the window 2.Clean the valve

Related performance parameter

Power	DV6V(No.5 Cell /4pcs)
Inductor distance	Auto regulate according to the test result, normal in 10~15CM
Inductor hour	0.3second
Cell life	4000 times per month for three years
Supply pressure	0.05~0.075MPa
Temperature	1┘~45┘ water temperature 1┘~50┘
Inlet size	G1/2

Function and character

1. Auto-regulation induction distance

After self check, the mixer controller will scan and test the depth and shade of the basin, regulate the induction distance according to the test result, the indicator light will flash eight times(about 6 second), after that the mixer can be used normally.(be care not to leave any water and sundries in the basin, at the same time, don't shake hands before the inductor, or it will affect test result.)

2. The inductor will follow up the condition of the basin from time to time.

The inductor will follow up the condition of the basin from time to time, correct the result, and avoid the mixer move.

3. Warning index of not enough pressure

If the power pressure is under 4.8V, the mixer controller will warn. Once open the mixer, the inductor light will flash per second, the user should have the new cell.

4. Lower pressure locks the mixer.

If the power pressure is under 5V, the mixer controller will close the mixer, and the inductor light will flash every four seconds, the user should have the new cell.

This specification is available to different surface treatments of products all rights reserved.