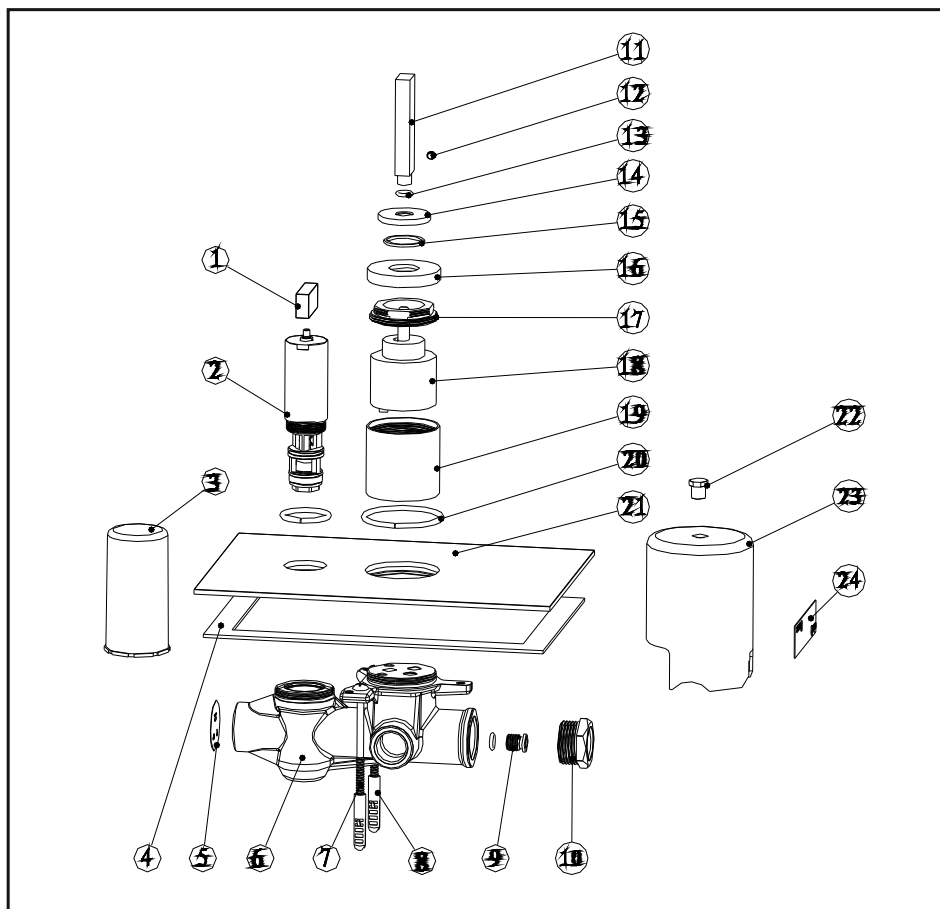


# Concealed bath/shower mixer

## Installation Instruction

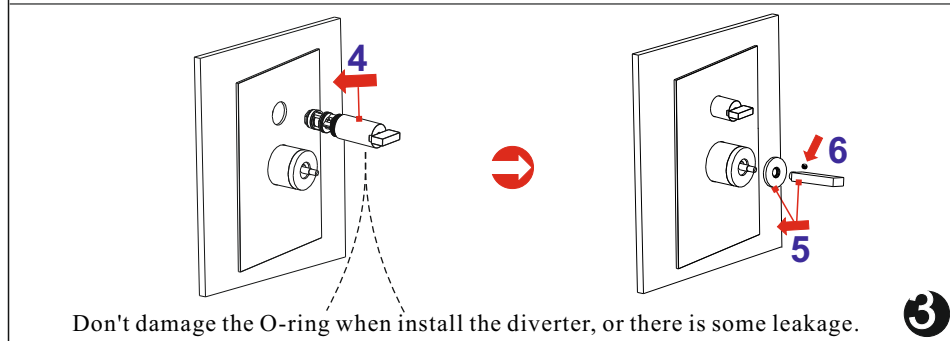
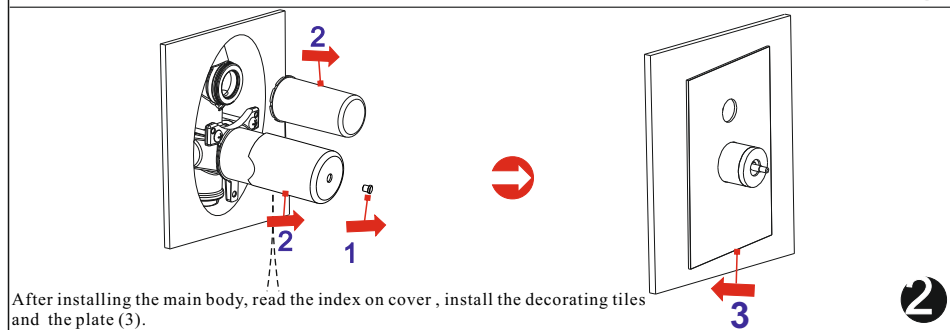
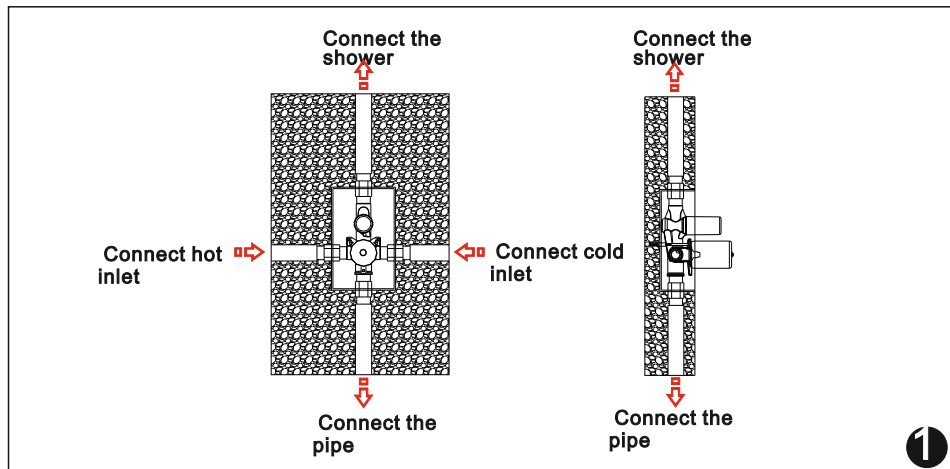
Please read this instruction carefully to avoid any difficulty during installation.



## Components List

No.	Component	Quantity
1	Knob	1
2	Diverting valve	1
3	Safe cover for diverter	1
4	Strip	1
5	Index	1
6	Main body	1
7	Cross-head screw	2
8	Plastic sleeve	2
9	Stopper	1
10	Union	1
11	Handle	1
12	Female allen screw	1
13	O-ring	2
14	Decorating cover	1
15	Washer	1
16	Decorating cover	1
17	Cartridge fastener	1
18	Ceramic cartridge	1
19	Cover	1
20	Sealing strip	1
21	Plate	1
22	Fastening union	1
23	Safe cover for body	1
24	Index	1

## Installation Step



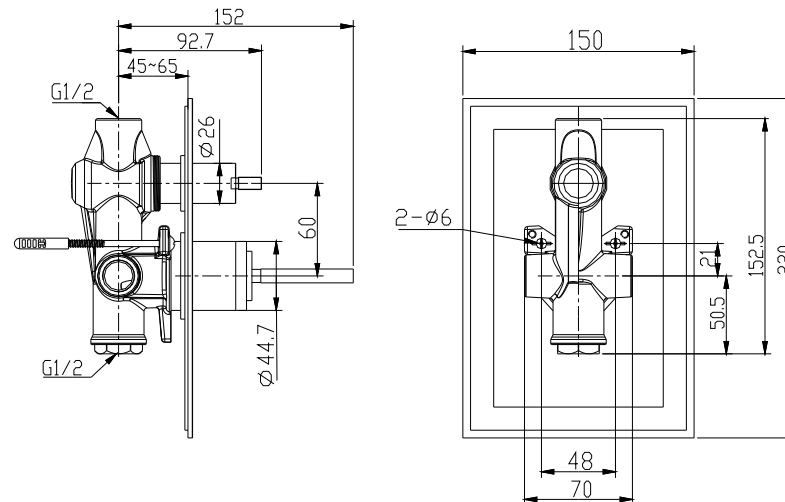
✱ Attention: the inner radii of the G1/2 connection pipe is not less than  $\phi 13\text{mm}$ .

✱✱ Read the Installation Fig and confirm the installing position.

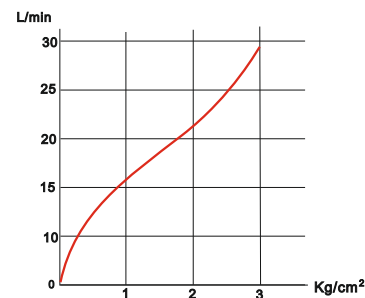
✱✱✱ Test:

Open the supply pipes, close the ceramic cartridge and check the connections for leakage; open the ceramic cartridge and check the smooth water flow. Decorate the wall after checking and remove the safe cover. Install the escutcheon and handle.

## Installation Fig



## Flow rate Curves



Test pressure: 1.6MPa (16bar)

Flow pressure:

Min 0.05MPa

Max 1.60MPa

Recommended pressure:

0.1MPa to 0.8MPa (1 to 8 bar)

## Note

1. Ensure proper cleaning of the water supply pipe before installation to avoid any jammed.
2. The cold-water supply must be connected on the right and the hot-water supply must be connected to the left.
3. Check the installation dimensions according to the Figure and ensure it is installed correctly.
4. Hot-water inlet temperature must not be over  $80^{\circ}\text{C}$ .