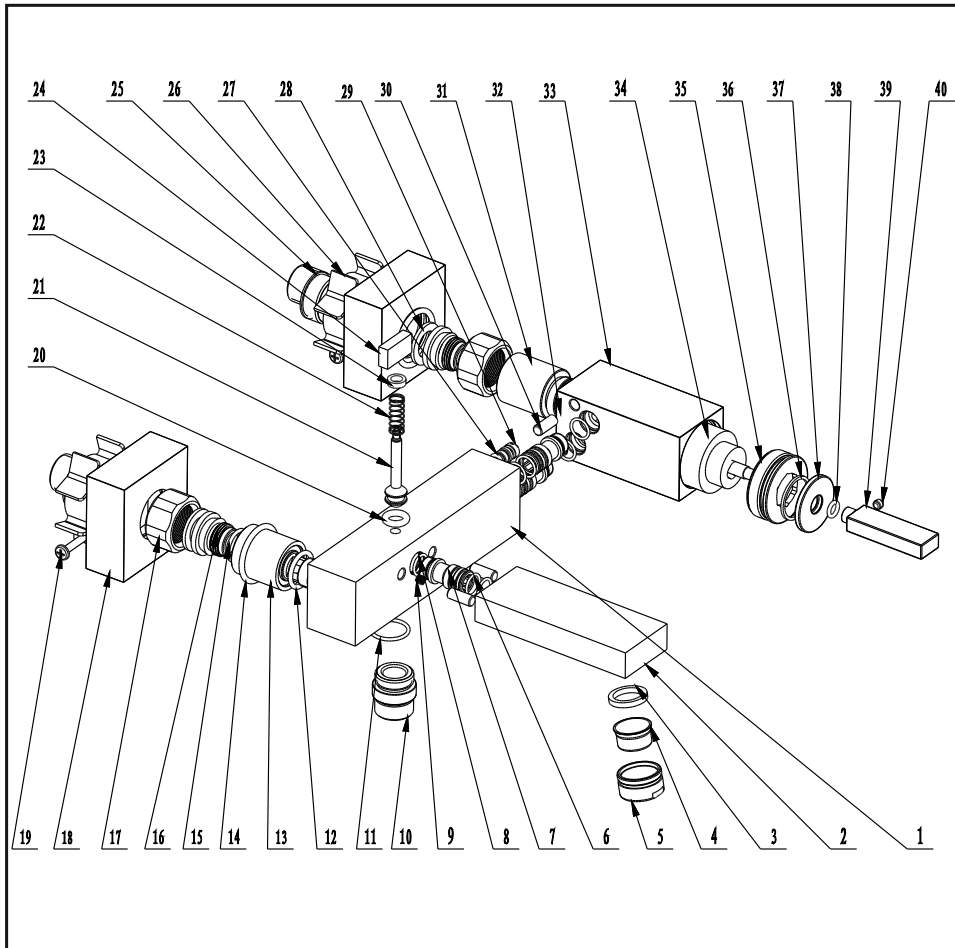


# Bath/shower mixer

## Installation Instruction

Please read this instruction carefully to avoid any difficulty during installation.

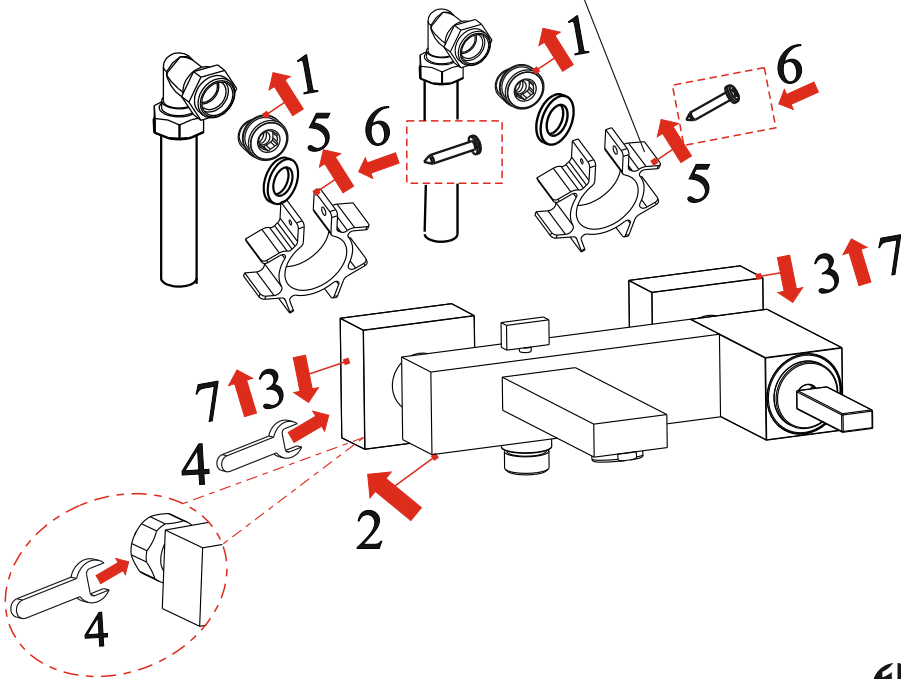


## Components List

No.	Component	Material	Quantity
1	Main body	BRASS	1
2	Spout	BRASS	1
3	Flat washer		1
4	Aerator core		1
5	Aerator coat		1
6	O-ring	NBR	6
7	Union	BRASS	3
8	O-ring	NBR	3
9	Female allen screw	S.S304	4
10	Union	BRASS	1
11	O-ring	NBR	1
12	O-ring	NBR	1
13	Left-holding foot	BRASS	1
14	Sealing strip	NBR	2
15	O-ring	NBR	2
16	Female allen screw	BRASS	2
17	Screw joint	BRASS	2
18	Square escutcheon	ZINC	2
19	Screw	S.S304	2
20	O-ring	NBR	1
21	Center rod	BRASS	1
22	Spring	S.S304	1
23	Y-seal	NBR	1
24	Pop-up knob	BRASS	1
25	S-union	BRASS	2
26	Clip	POM	2
27	O-ring	NBR	1
28	Flat washer	NBR	2
29	Bolt	BRASS	1
30	Setting pin		4
31	Right-holding foot	BRASS	1
32	O-ring	NBR	1
33	Main body	BRASS	1
34	Ceramic head part		1
35	Cartridge fastener	BRASS	1
36	Washer		1
37	Escutcheon	BRASS	1
38	O-ring	NBR	1
39	Handle	BRASS	1
40	Female allen screw		1

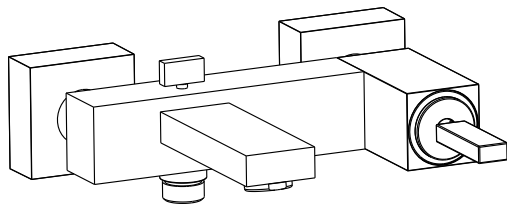
## Installation Step

Attention:  
According to the fig to install the clip  
(Former circle, latter corner.). Don't  
scrach the body when remove the  
escutcheon.

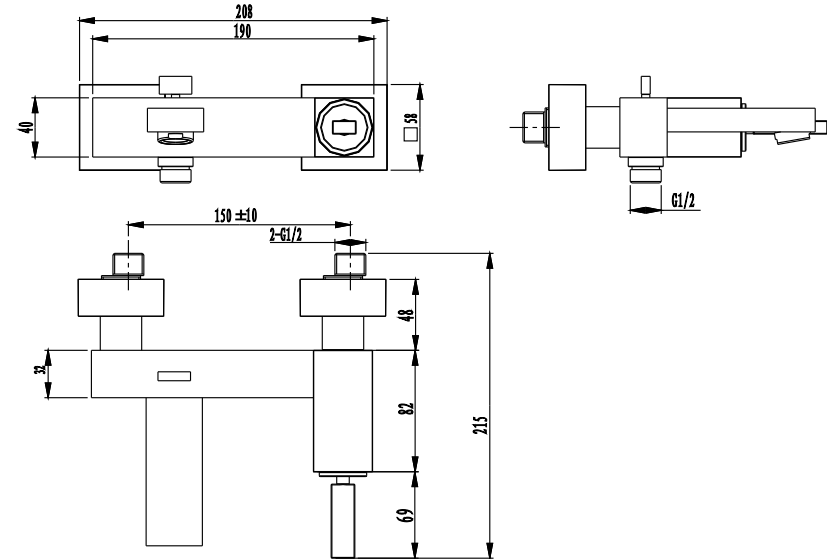


1

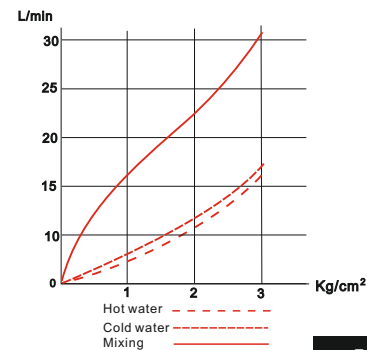
2



## Installation Fig



## Flow rate Curves



Test pressure: 1.6MPa (16bar)

Flow pressure:

Min 0.05MPa

Max 1.60MPa

Recommended pressure:

0.1MPa to 0.8MPa (1 to 8 bar)

## Note

1. Ensure to clean the water supply pipe before installing to avoid being jammed.
2. The cold-water supply must be connected on the right and the hot-water supply on the left.
3. Check the installing dimension according to the Figure and ensure it is installed correctly.
4. Hot-water inlet must not be over 80°C.