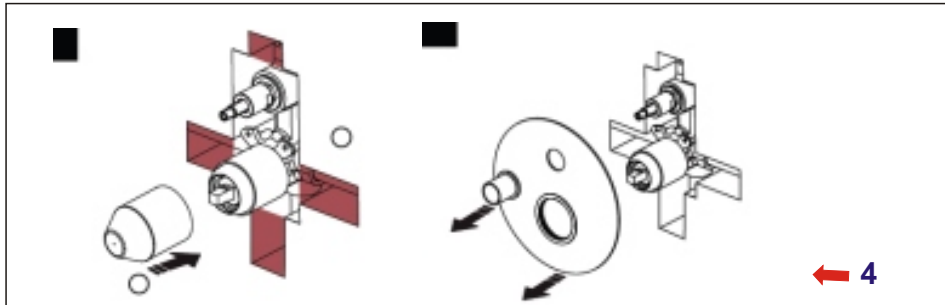
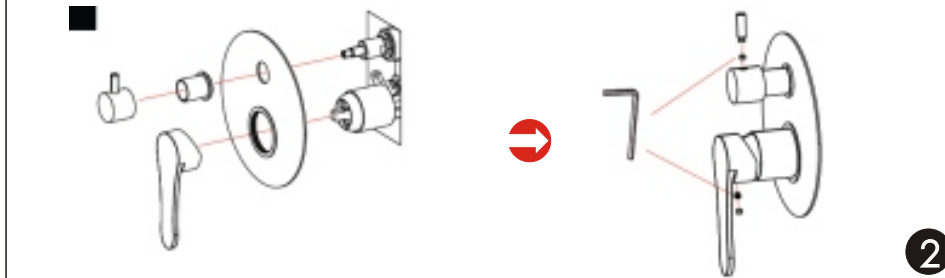


## Installation Step



After installing the main body, read the index on cover, install the decorating tiles and glue the plate (4).

1



2

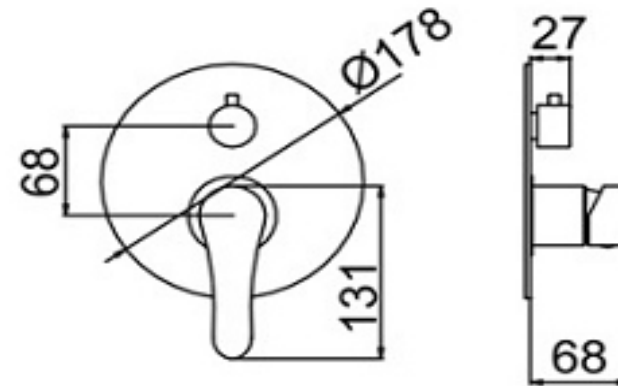
❄️❄️ Read the Installation Fig and confirm the installing position.

❄️❄️❄️ **Test:**

Open the supply pipes, close the ceramic cartridge and check the connections

for leakage; open the ceramic cartridge and check the smooth water flow. Decorate the wall after checking and remove the safe cover. Install the escutcheon and handle.

## Installation Fig



## Note

- 1.Ensure proper cleaning of the water supply pipe before installation to avoid any jammed.
- 2.The cold-water supply must be connected on the right and the hot-water supply must be connected to the left.
- 3.Check the installation dimensions according to the Figure and ensure it is installed correctly.
- 4.Hot-water inlet temperature must not be over 80 C. °